

LIMITED WARRANTY

If your product does not work properly because of a defect in material or workmanship, Custom Autosound Mfg., Inc. (the Company) will for the length of the period indicated on the chart below, which starts with the date of original purchase ("Limited Warranty period"), at its option either (a) repair your product with new or refurbished parts, or (b) replace it with a new or refurbished product. The decision to repair or replace will be made by the company.

Product or Part Name	PARTS	LABOR
All In-dash car radios, radio/tape player combinations.	Two (2) Years	One (1) Year

During the "Labor" Limited Warranty period there will be no charge for labor. During the "Parts" Limited Warranty period, there will be no charge for parts. This Limited Warranty is extended only to the original purchaser and only covers product purchased as new. A purchase receipt or other proof of the original purchase date is required for Limited Warranty service.

To obtain repairs or replacement within the terms of this warranty, the product should be delivered, transportation prepaid, to the Company at the address shown below.

This warranty does not extend to the elimination of car static or motor noise correction antenna problems, costs incurred for removal or reinstallation of product, or damage of tapes, speakers accessories or car electrical systems.

This warranty does not apply to any product or part thereof which has been damaged through alteration, mishandling, misuse neglect, or accident.

ANY IMPLIED WARRANTY IS LIMITED TO THE DURATION OF THIS WRITTEN WARRANTY. UNDER NO CIRCUMSTANCES SHALL THE COMPANY BE LIABLE FOR ANY LOSS OR DAMAGE, DIRECT OR CONSEQUENTIAL, ARISING OUT OF THE USE OR INABILITY TO USE THIS PRODUCT: No person or representative is authorized to assume for the Company any liability other than expressed herein in connection with the sale of this product.

Some states do not allow limitations on how long an implied warranty last or the exclusion or limitation of incidental or consequential damage to the above limitations or exclusion may not apply to you.

This warranty gives you specific legal rights and you may also have other rights which vary from state to state.



1030 W. Williamson Ave. Fullerton CA. 92833
800-888-8637 714-773-1423 FAX 714-773-1523



- AM/FM Stereo 200 watts 4x50
- RF Remote Control (radio frequency, no line of sight required)
- USB MP3/WMA Flash Drive Player
- iPod® Direct Control Interface (built into tuner/amp unit/cable included)
- Alpha Numeric LCD Display for Artist / Song Titles on USB and iPod®
- Satellite Radio Input (for optional satellite radio)
- CD Changer Control (for optional 10 disc CD changer)
- Auxiliary Audio Input
- 4 Channel 3 Volt RCA Pre-Outs (for optional Amplifiers)
- Subwoofer Pre-Out (for optional Subwoofer Amp)
- Electronic Volume, Bass, Treble, Balance, Fader
- 5 Selectable iEQ curves – pop/jazz/classic/beat/rock
- 0 Memory Current Draw (will not drain car battery when unit not in use)
- 24 Station pre-sets (18FM / 12AM)
- Power Antenna 12V trigger lead
- Blue LED Illumination on buttons and display
- Adjustable Contrast for LED Display
- Flush Mount Trim Bezel included with unit

CONTENTS

Introduction.....	2
Safety Information	1
Installation.....	7-10
Basic Operation	3-4
Tuner Operation.....	5
Satellite Radio Operation.....	6
USB Operation.....	12
iPod Operation	11
iPod Compatability Chart.....	14
CD Changer Operation.....	5
Troubleshooting.....	13
Specifications	13

SAFETY INFORMATION

Protect from Water

Do not submerge or expose the product to water, as this can cause electrical shorts, fire or other damage.

Protect from High Temperatures

Exposure to direct sunlight for an extended period of time can produce very high temperatures inside your vehicle. Give the interior a chance to cool down before starting playback. Do not mount radio within close proximity of engine compartment.

Use the Proper Power Supply

This product is designed to operate with a 12 volt DC negative ground battery system.

WARNING:

- DO NOT OPEN, DISASSEMBLE OR ALTER THE UNIT IN ANY WAY. Doing so may result in fire, electric shock or product damage.
- USE THE CORRECT AMPERE RATING WHEN REPLACING FUSE. Failure to do so may result in fire, electric shock or product damage.
- DO NOT INSTALL IN LOCATIONS THAT MIGHT HINDER VEHICLE OPERATION. Doing so may obstruct vision or hamper movement which can result in a serious accident.
- INSTALL THE WIRING SO THAT IT IS NOT CRIMPED OR PINCHED BY SCREWS OR SHARP METAL EDGES. Route the cables away from moving parts or sharp pointed edges. This will prevent crimping and damage to the wiring. If the wiring must pass through a metal hole, be sure to use a rubber grommet to prevent the wire's insulation from being cut by the metal edge of the hole. It is also recommended to apply sealing caulk to any opening that may potentially allow water to enter.
- Be sure to choose a location that is flat and has clearance above the unit to prevent any damage, as well as allow for ventilation.
- Before drilling any holes, carefully inspect the area underneath and behind the mounting surface where the devices will be mounted to make sure it will not interfere with existing wires, fuel lines, the fuel tank or any other objects that could be damaged.
- Always disconnect the vehicle negative battery terminal to prevent accidental shorting during installation.

TROUBLE SHOOTING

Problem	Cause	Measure
No Power	The vehicles accessory switch is not on	If the power wire (red) is properly connected to the vehicles accessory terminal, switch the ignition key to "ACC"
	The fuse is blown	Replace the fuse
	Unit not grounded	Check ground connection
No Sound	Volume set too low	Increase the volume to audible level
	Wiring is not properly connected. Or Mute is on.	Correct wiring connections. (speaker wires can not be grounded or touch each other). Turn off Mute
Operation Keys do not work	The internal processor is not operating properly	Press the reset button with a ball point pen. (See page 7)
No Sound or Error Code on USB	Music files protected	Make sure none of the audio files are DRM or protected, use only .mp3 files or unprotected Windows Media format files
	To many songs on USB	Do not have more than 999 songs on the USB drive
	File names to long	Shorten file names to 64 character total or less
	USB player requires driver software	This radio will recognize most USB devices that do not require any form of special driver software. Many of the new Sony walkman MP3 players are not compatible due to the need for special software to communicate with these devices. Conventional USB memory sticks work great.
iPod not as loud as other sources	iPod sound check in on	Go to the Settings menu on your iPod and turn off the Sound Check function. This will restore the output level.

iPod Compatibility Chart

This unit supports the following iPod versions.

- iPod 1G -----Not Supported
- iPod 2G -----Not Supported
- iPod 3G -----Supported
- iPod Mini ----Supported
- iPod 4G -----Supported
- iPod Photo--Supported
- iPod Nano-- Supported
- iPod 5G(Video) Supported
- iPod Touch-- Supported
- iPhone Not --Supported
- iPod Classic All versions --Supported

- During USB mode playback, if the user removes the USB device from main unit, the unit will automatically switch to FM mode.

Controlling Playback

This unit can play MP3/WMA files stored on a USB Memory device.

File/Folder Intro Play

- Press and hold the 2 INT button (11) for more than 3 seconds while playing MP3/WMA files to "intro play" all files in the current folder.
- Press the 2 INT button (11) to "intro play" all files.
- Press the 2 INT button again to disable file or folder "intro play".

File/Folder Repeat Play

- Press and hold the 3 RPT button (12) for more than 3 seconds while playing MP3/WMA files to "repeat play" all files of the current folder.
- Press the 3 RPT button (12) to "repeat play" the current file.
- Press the 3 RPT button again to disable file or folder "repeat play".

File/Folder Random Play

- Press and hold the 4 RDM button (13) for more than 3 seconds while playing MP3/WMA files to "random play" all files of the current folder.
- Press the 4 RDM button (13) to "random play" all files.
- Press the 4 RDM button again to disable file or folder "random play".

Folder/File Down

- In USB mode, press the preset 5 DN button (14) to move one folder down.
- In USB mode, press and hold to move 10 folders down.

Folder/File Up

- In USB mode, press the preset 6 UP button (15) to move one folder up.
- In USB mode, press and hold to move 10 folders up.

SPECIFICATIONS

FM Radio	
Frequency Coverage (USA)	87.5 to 107.9 MHz
Frequency Coverage (Europe)	87.5 to 108 MHz
Sensitivity (S/N=30dB)	4µV
Image Rejection	>45 dB
Stereo Separation	>25 dB
AM/MW	
Frequency Range (USA)	530-1720 kHz
Frequency Range (Europe)	522-1620 kHz
Sensitivity (S/N=20dB)	36 dB
General	
Operating Voltage	DC 12 Volts
Grounding System	Negative Ground
Speaker Impedance	4-8 ohms per channel
Tone Controls:	
Bass (at 100 Hz)	: ±10 dB
Treble (at 10 kHz)	: ±10 dB
Power Output	50W x 4
Current Drain	15 Ampere (max.)
Commander Dimensions5.5" (W) x 1" (D) x 2" (H)
Tuner/Amp Dimensions	6.75" (W) x 6.5" (D) x 2" (H)

Introduction

Thank you for your purchase of a Custom Autosound radio.

This factory made AM/FM receiver is specifically designed and manufactured for your classic special interest vehicle. It is a reflection of over 30 years of customer feedback regarding preferred features, vehicle compatibility, cosmetics and quality components.

The quality of the components and various parts that are used in our radios were developed in a California audio research laboratory. The laboratory researched and assembled the finest affordable iPod/USB/CDC controller radio tuner and amplifier sections.

Custom Autosound and its staff own over 16 classic special interest cars and trucks. These vehicles are used for research and development, car shows meets and much personal pleasure. We find that our custom radios only sound as good as the speakers they are matched with and a quality installation.

We also manufacture a full line of rear and dual front and dual voice coil speaker assemblies to fit in the original speaker areas, rear and overhead speaker assemblies and custom radios for over 300 different year groups and makes of classic vehicles plus Secretaudio the hideaway AM/FM CD Controller radio for any vehicle.

Your Custom Autosound authorized dealer has information regarding our speakers and special speaker assemblies, as well as information regarding custom radios for cars other than yours.

Again, we thank you for your purchase! You have increased the value and "Driving Pleasure" of your classic without damaging the originality.

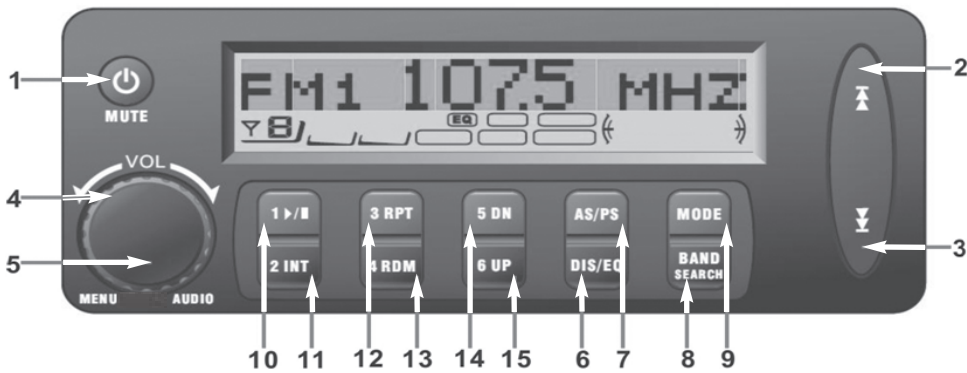
Regards, Carl Sprague
President
Custom Autosound

It's advised that you do not return defective units to your dealer. There is generally no "exchange" e.g.(as is Standard Electronics Industry Policy). Also, most dealers do not have radio technicians, test benches, etc and a return to factory through a dealer can extend turn-around times by weeks!

Please call Custom Autosound, requesting technical assistance if a problem occurs. We will gladly trouble shoot/advise step by step.

If your unit is in need of repair, Please ship to us, UPS preferably. We will repair or replace and return ASAP! Normal turn around time is 7 business days plus shipping time.

Custom Autosound Mfg, Inc.	800-888-8637
1030 West Williamson Ave	Fax 714-773-1523
Fullerton, CA 92833	www.custom-autosound.com



Power On/Off

Press the POWER button (1) to turn the unit on. The unit will resume the last mode (Tuner, Aux, etc.). Hold and press this button for 3 seconds to turn off the unit.

Volume Control

To increase the volume, turn the VOLUME knob (4) clockwise. To decrease the volume, turn the VOLUME knob (4) counter clockwise.

Mute

Short press of the power button (1) will MUTE the sound. A second short press of the power button will resume audio output.

Mode

Press the MODE button (9) on the control panel to select a different mode of operation, as indicated on the display panel. Available modes include Tuner, USB, iPod, CD and AUX In.

NOTE: iPod will be skipped if the module is not installed.

Reset

The reset button should be activated for the following reasons:

- initial installation of the unit when all wiring is completed
- function buttons do not operate
- error symbol on the display

Use a ball point pin or thin metal object to press the RESET button, located on the tuner box. You can recover factory default settings using the RESUME function located on the system menu. With "YES" flashing, press the SELECT button (4) to activate.

Audio Menu

Press the AUDIO button (volume knob) (5) on the control panel to access the audio menu. You can navigate through the audio menu items by pressing the TUNE/TRK >>| or |<< button(2.3) or pressing the AUDIO button repeatedly. Once the desired menu item appears on the display, adjust that option by turning the VOLUME +/- control (4) within 5 seconds. The unit will automatically exit the audio menu after five seconds of inactivity.

The following menu items can be adjusted.

Bass Level Use the VOLUME knob to adjust the Bass level range from "-6" to "+6".

Treble Level Use the VOLUME knob to adjust the Treble level range from "-6" to "+6".

Balance Use the VOLUME knob to adjust the Balance between the left and right speakers from "L12" (full left) to "R12" (full right).

Fader Use the VOLUME knob to adjust the Fader between the rear and front speakers from "R12" (full rear) to "F12" (full front).

Selecting Tracks

During playback, press the TUNE/TRK << / >>| button (2/3) to play the previous or next track in the current category. Press the TUNE/TRK << button (2) once to play the song from the start position or press TUNE/TRK << twice to play the previous track. Press and hold the TUNE/TRK << / >>| button (2/3) to fast reverse/forward the song.

NOTE: If you press and hold the TUNE/TRK << / >>| button to change the current song to the previous/next song, you will exit fast reverse/forward mode.

Alternate Display Information

Press Display button (6) to change the display information in the following order:

ARTIST NAME > SONG TITLE > FOLDER NAME.

Search Mode

Press and hold the BAND/SEARCH button (8) to enter iPod search mode. Press BAND/SEARCH again to access Playlist, Artist, Album, Genre, Song, or Composer (consecutively).

When search mode is selected, press the select button (5) to confirm selection. Use the VOLUME +/- knob (4) to navigate through various list selections. Press Select (5) to make your final selection.

USB OR FLASH MP3/WMA OPERATION

This unit supports the USB host function. It can play MP3 and WMA audio format files stored on USB flash memory and some USB music devices.

NOTE: This unit does not support portable hard discs.

NOTE: Exposure to direct sunlight or high temperatures may cause deformation or other malfunction of the USB device.

NOTE: Do not remove the USB device during play, as this may result in loss or damage to data. Always back up and save important data to your computer.

Accessing USB Mode

Press the MODE button (9) to access USB mode.

- When a USB device is inserted into the USB connector, the unit will automatically switch to USB HOST mode from current playing mode.
- If there are no music files stored on the USB device, the LCD will display "No File" for 3 seconds and then switch to the previous mode.
- If the unit cannot play the file, the LCD will display "Read Error" for 3 seconds, and then switch to the previous mode automatically.
- If a USB device is not inserted, USB mode will be skipped when pressing the MODE button.

iPod OPERATION

This unit is equipped with an iPod ready function that will allow you to control your iPod (if compatible) using the control panel control buttons. The following iPod versions are supported:

- iPod 3G (firmware version 2.2 only)
- iPod Mini
- iPod 4G
- iPod Photo
- iPod Nano (1st, 2nd and 3rd generation)
- iPod 5G (Video)
- iPod Touch
- iPod Classic

NOTE: *iPod Touch and iPhone are not supported. iPod sold separately.*

Accessing iPod Mode

The unit will automatically switch to iPod mode when an iPod is plugged into the iPod cable.

To return to the iPod menu from any other source, press the MODE button (9) on the control panel or remote control until "iPod" appears on the display.

Turning the iPod On/Off

The iPod power turns on automatically when an iPod is connected to 30-pin iPod cable, as long as the vehicle ignition is turned on. You can turn the iPod off by disconnecting it from the cable or by turning the ignition off. When the ignition is turned off, the iPod will pause and then enter sleep mode after 2 minutes. While the iPod is connected, the power cannot be turned on or off from the iPod itself. NOTE: The iPod will continuously recharge when connected to the unit, as long as the vehicle ignition is turned on. Please note that the SST will not support charging of the iPod Nano 4th generation (Chromatic) or any iPod models released after September 2008.

NOTE: *iPod Connectivity through the USB is not supported.*

Controlling Playback

Pausing Playback

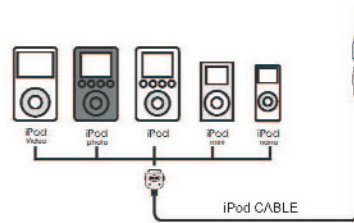
During playback, press the 1/>|| button (10) to pause the iPod player. "Pause" will appear on the LCD. Press 1/>|| again to resume playback.

Repeat Play

During playback, press the 3/RPT button (12) to repeat the current song. "Repeat" will appear on the LCD. Press 3/RPT again to stop repeat playback.

Random Play

During playback, press the 4/RDM button (13) to play all songs in the current category in random order. Random play will begin once the current song has finished playing. "Shuffle" will appear on the LCD. Press 4/RDM again to stop random playback.



System Menu

1. Press and hold the AUDIO button (volume control 5) for more than 3 seconds to enter the system menu. "MENU" will appear on the display, followed by the first menu item, "CON TRAST."
2. Press the TUNE/TRK >>| or |<< button (2, 3) to navigate the system menu and select the desired item.
3. Turn the VOLUME +/- knob (4) to adjust the selected menu item.
4. Press the AS/PS button (7) to return to the previous operation immediately or wait for 5 seconds to return automatically. The following items can be adjusted:
 - CONTRAST (0 – 10): Set LCD contrast.
 - AREA (USA/LATIN/EUROPE): Set frequency spacing for various regions.
 - VOL PGM (0 – 46): Select an automatic turn-on volume.
 - BEEP TONE (ON/OFF): Turn the audible beep ON/OFF (heard when function /but tons are selected).
 - RESUME: Return the EEPROM to factory default set up values. "Yes" will blink on the LCD to confirm. Press SELECT(4) to select.

Equalizer

Press the EQ button (6) to turn on the equalization function and select between five predefined bass and treble curves: OFF > POP > JAZZ > CLASSIC > BEAT > ROCK.

Auxiliary Input

To access an auxiliary device:

1. Connect a portable audio player to the AUX IN cables on the back of the tuner box.
2. Press the MODE button (9) to select Aux In mode.
3. Press MODE again to cancel Aux In mode and go to the next mode.

Liquid Crystal Display (LCD)

The current frequency and activated functions are shown on the LCD panel. NOTE: LCD panels may take longer to respond when subjected to cold temperatures for an extended period of time. In addition, the visibility of the numbers on the LCD may decrease slightly. The LCD display will return to normal when the temperature increases to a normal range. The contrast of the display is adjustable - see system menu

Quick Exit Hot Key

In the following modes and conditions, press the AS/PS button (7) 3 seconds to quickly exit the current operation without waiting for the system default time out:

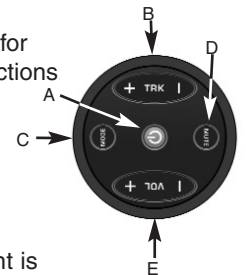
- System menu operation
- Searching mode
- Audio menu operation

RF Remote Control

RF receiver unit must be plugged into the main tuner/amp box for the remote to function. The remote will control the following functions

- System on off - press this button to turn system on/off (A)
- Track +/- advance songs or channel up or down (B)
- Mode - change mode between tuner/USB/iPod/CD (C)
- Mute - mutes sound volume (D)
- Volume +/- turns volume up or down (E)

The remote requires a CR2430 3v battery. Battery compartment is on the back side of the remote. Twist cover to access.



TUNER OPERATION

Select a Band

Press the BAND button (8) to change between three FM bands and two AM (MW) bands.

Manual Tuning

Press the TUNE/TRK >>| or |<< buttons (2, 3) to seek stations up/down step by step.

Auto Seek Tuning

Press and hold the TUNE/TRK >>| or |<< buttons (2, 3) to automatically seek the next or previous strong station.

Preset Stations

Six numbered preset buttons store and recall stations for each band.

Store a Station

Select a band (if needed), then select a station. Press and hold a preset button (10-15) for two seconds. The preset number will appear in the display.

Recall a Station

Select a band (if needed). Press a preset button (10-15) to select the corresponding stored station.

Automatically Store / Preset Scan (AS/PS)

Automatically Store

Select a band (if needed). Press and hold the AS/PS (7) button for more than three seconds to automatically select six strong stations and store them in the current band. The new stations replace any stations already stored in that band.

Preset Scan

Select a band (if needed). Press AS/PS (7) to scan stations stored in the current band. The unit will pause for ten seconds at each preset station. Press AS/PS again to stop scanning when the desired station is reached.

CD Changer Mode (For Optional CD Changer)

Selecting a Disc DN(14) UP(15)

To select a disc, press DN(14) or UP(15) until the desired disc number is showing on the LCD display

Selecting Tracks >>(2) <<(3)

-Press the button >>(2) or <<(3) to skip to next track or last track on the CD.

-Press and hold the button >>(2) or <<(3) to fast forward or fast reverse through the disc. CD play starts when the button is released.

Play/Pause Disc playback 1 >|| (10)

Press button 1 >|| (10) to pause disc play, press this button again to resume disc play.

Previewing Tracks (11)

Press the 2 INT button (11) to play only first 10 seconds of each track in the current disc repeatedly. Press this button again to stop intro scan and resume normal play at the current track.

Repeat Play (12)

Press the 3 RPT button (12) during disc play to repeat play the current track, press this button again to stop repeat play.

Long press this button (12) to repeat play all the tracks on current CD.

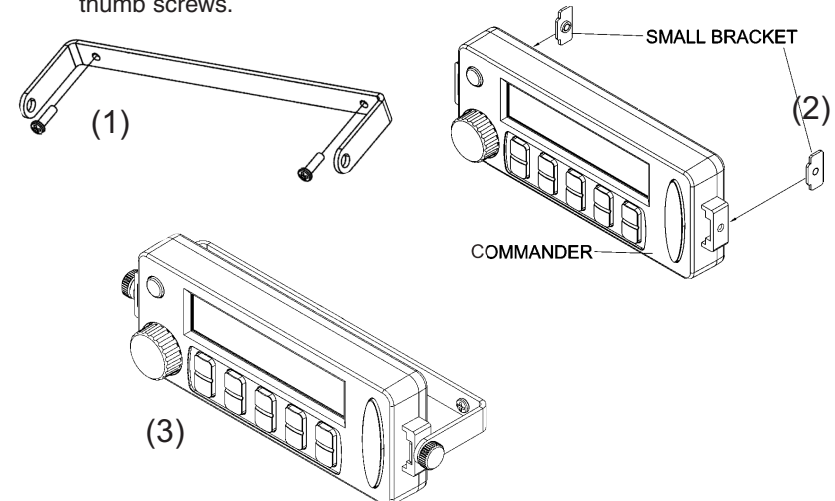
Random Play (13)

Press 4/RDM button (13) during disc play to play all tracks on a CD in random order. Press this button again to stop random play. Long press this button (13) to random all the tracks on the CD changer.

Wired Commander Mounting

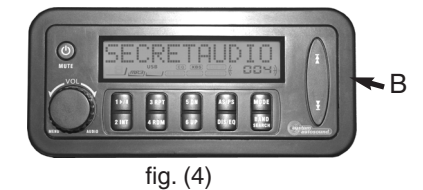
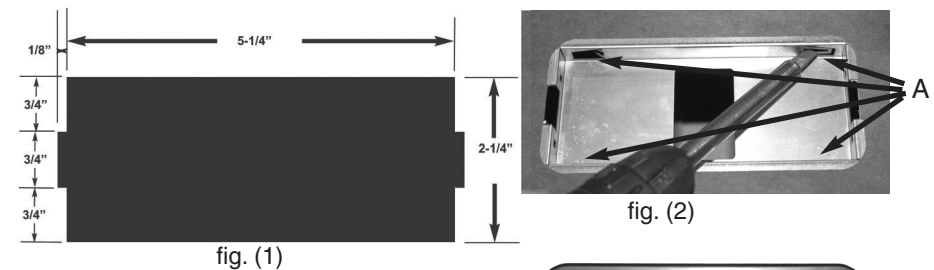
Wired Commander Bracket Mount

- (1) Use the two self tapping screws (T3x12) to mount the Swivel Bracket in place.
- (2) Put the two small brackets into the right and left ears of Commander
- (3) Put the commander into the swivel bracket and fasten using the large machine thumb screws.



Wired Commander flush Mount

- (1) Find a flat area that is a minimum of 5-3/4" w x 2-3/4" h
- (2) Check area behind for any obstructions. Needs a min. of 1" clearance
- (3) Cut a 5-1/4" w x 2-1/4" h hole for the flush mount bezel. Cut 1/8" w x 3/4" high clearance for tabs on side of LCD. (fig.1) **Be extremely careful to not cut this opening oversize** or the trim bezel will not cover up the hole. Best to cut the opening slightly small and then file to fit.
- (4) Insert metal bezel into cutout and bend mounting tabs (A) outward to secure it into the opening. fig. (2)
- (5) Place commander into bezel (fig. 3) and press fit plastic trim ring (B) over the commander. (fig.4)

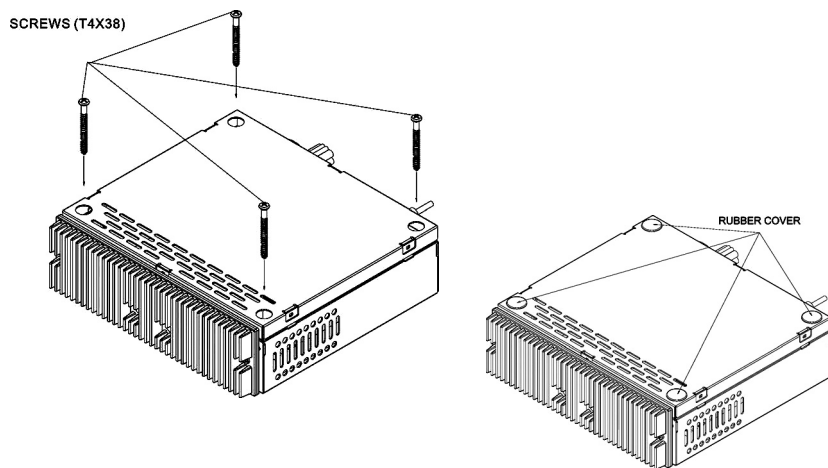


Tuner/Amplifier Mounting

1. Choose a mounting area for the tuner/amp module that will provide plenty of ventilation to prevent the amplifier from overheating. The tuner/amp module can be mounted in the horizontal or vertical position. Please note that when mounting in vertical position, do not mount with the harness exit points facing straight up, as this will reduce the efficiency of the heat sink cooling.
2. Using the shortest length of the recommended size screws possible, mount the tuner/amplifier as detailed in the diagram below.
3. Route the tuner/ amplifier harness and cable throughout the vehicle as required. Keep some slack in the harness / cables so it won't be too tight, as this can cause damage to the wires.
4. Follow the wiring diagram carefully and make certain all connections are secure and insulated with crimp connectors or electrical tape to ensure proper operation.
5. After completing the wiring connections, reconnect the negative terminal on the battery and turn the unit on to confirm operation (vehicle accessory switch must be on). If the unit does not operate, disconnect battery, recheck all wiring and refer to the troubleshooting guide located in the back of the manual.

Reconnect Battery

When wiring is complete, reconnect the battery negative terminal.



Category Navigate Search

1. Short press the "button" (8) until "Category" appears on the LCD
2. Press Select (5) or rotate the Volume knob (4) to enter into Category Search.
Rotate the VOL knob clockwise for Category up, Rotate the VOL knob counter clockwise for Category down.
3. Once the desired Category is displayed, press Select (5).
4. Rotate the VOL knob clockwise for CH up and counter clockwise for CH down. Or press Tune Up/Dn to choose channel.
(Note: At this moment, press AS/PS (7) to go back to last level of Category selection)
5. Once the desired CH is displayed, press Select button (5) to confirm.

Channel Up/Down Tuning

Press the TUNE/TRK |<< / >>| buttons (2/3) to search for a channel. Press and hold the TUNE/TRK buttons to fast search.

Storing Preset Channels

The preset buttons (10-15) can be used to store 6 channels, allowing convenient access to your favorite channels. 1. Select the channel you want to store in memory. 2. Press and hold a preset button (10-15) until the corresponding preset button # appears. 3. Repeat steps 1 and 2 to program additional channels.

Quick Tuning

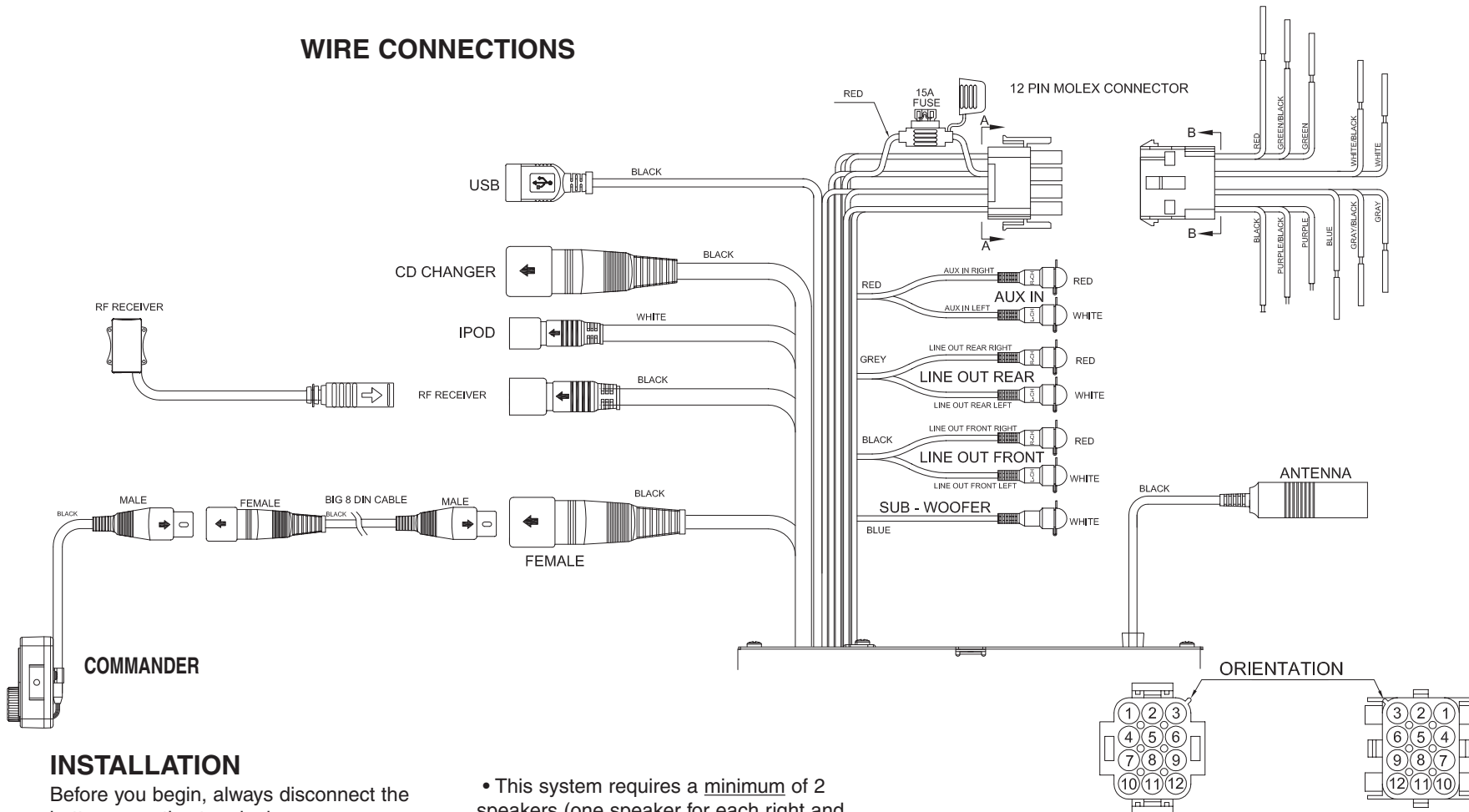
Press one of the six preset buttons (10-15) to select a preset channel directly.

Channel Direct Access Searching (8)

- Press BAND button (8) to access direct tune mode, "Direct -T" appears on the display for a few seconds.
- Rotate the Knob (4) Clockwise or Short Press Select button (5) to confirm entry into the Direct Tune mode
- Rotate knob clockwise or counter-clockwise to navigate through number 0-9
- Default interface display is SR CH 0__
- The 1st digit only allows numeric entry from 0, 1 & 2 for Channel Number
- The 2nd & 3rd digits allow numeric entry from 0, 1 to 9 for Channel Number
- Short press Select button (5) to confirm the entry of the current digit, use Track up / down button (2) or (3) as cursor to move back & forth among the 3 digits

continued on page 9

WIRE CONNECTIONS



INSTALLATION

Before you begin, always disconnect the battery negative terminal.

Important Notes

- Before final installation, test the wiring connections to make sure the unit is connected properly and the system works.
- Use only the parts included with the unit to ensure proper installation. The use of unauthorized parts can cause malfunctions.
- Consult with your nearest dealer if installation requires the drilling of holes or other modifications to your vehicle.
- Install the unit where it does not interfere with driving and cannot injure passengers if there is a sudden or emergency stop.
- Avoid installing the unit where it will be subject to high temperatures from direct sunlight, hot air, or from a heater, or where it would be subject to excessive dust, dirt or vibration.

- This system requires a minimum of 2 speakers (one speaker for each right and left channel) If you only have a location for one speaker our DVC (dual voice coil) speaker can be used. Do not connect any of the speaker leads to each other or vehicle ground.
- System requires 12 volt negative ground.
- Blue power antenna lead is for 12volt positive trigger of optional amplifiers or power antenna relay. Do not connect to any accessory that requires high current. If your vehicle is not equipped with automatic antenna or amplifiers tape this lead off.

PIN NO.	WIRE COLOR	WIRE DEFINITION	AWG
1	GREEN	SPEAKER REAR LEFT (+)	20
2	GREEN/BLACK	SPEAKER REAR LEFT (-)	20
3	RED	ACC (+12V)	16
4	WHITE	SPEAKER FRONT LEFT (+)	20
5	WHITE/BLACK	SPEAKER FRONT LEFT (-)	20
6			
7	GREY	SPEAKER FRONT RIGHT (+)	20
8	GREY/BLACK	SPEAKER FRONT RIGHT (-)	20
9	BLUE	POWER ANTENNA	20
10	PURPLE	SPEAKER REAR RIGHT (+)	20
11	PURPLE/BLACK	SPEAKER REAR RIGHT (-)	20
12	BLACK	GROUND (-)	16